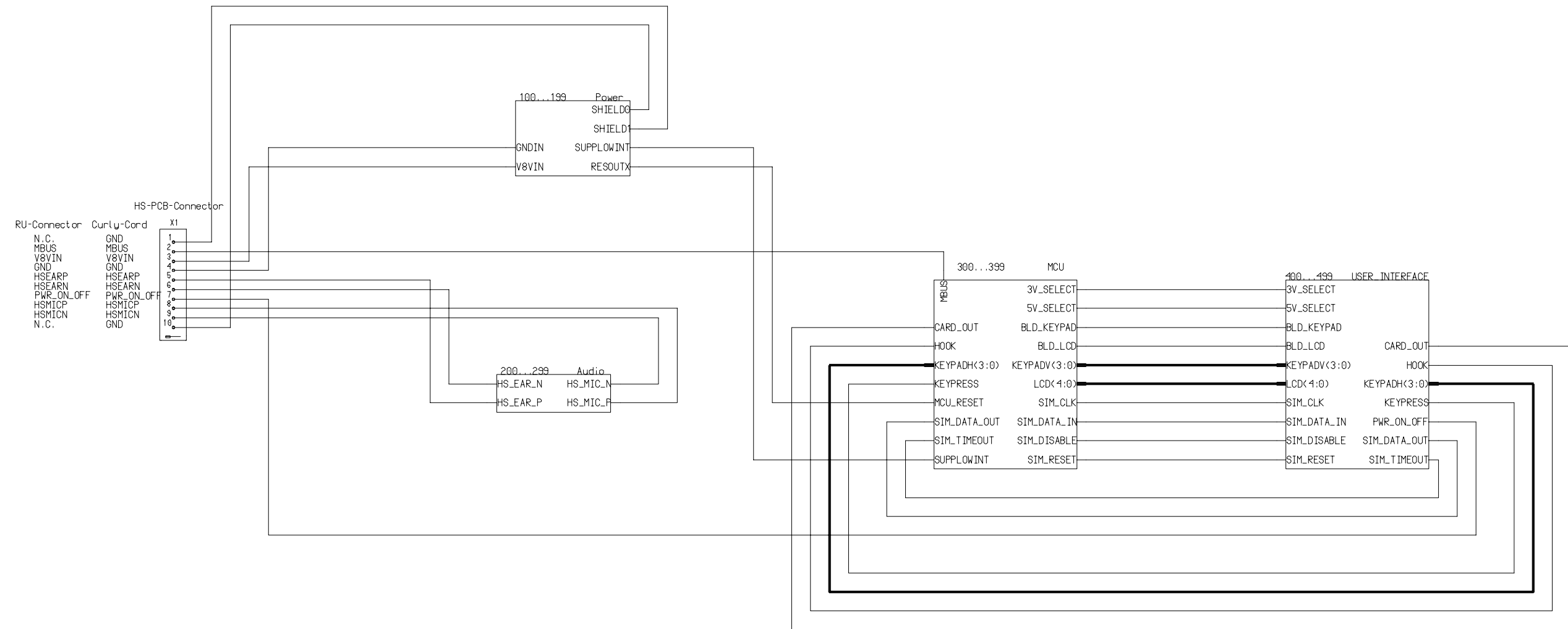
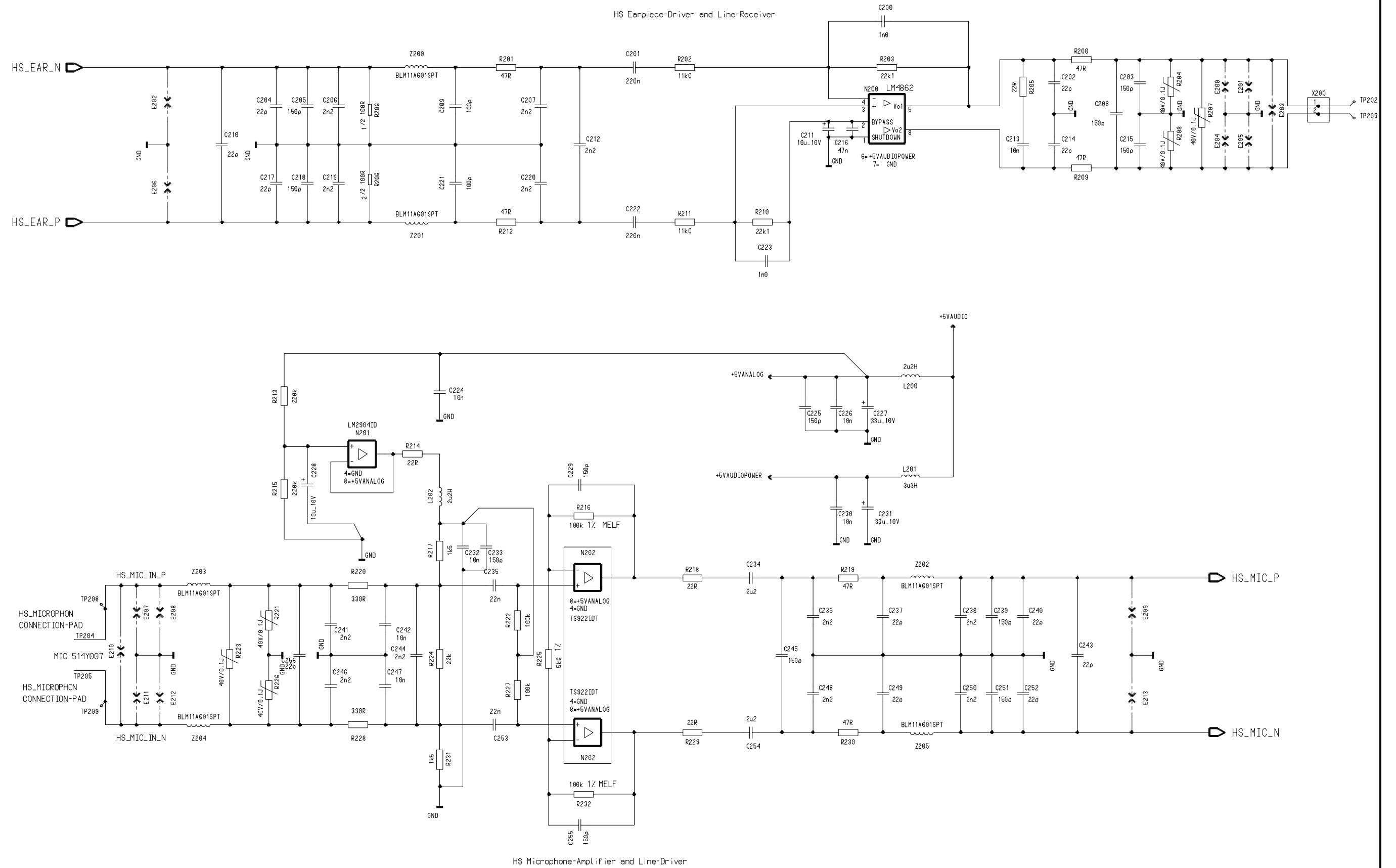


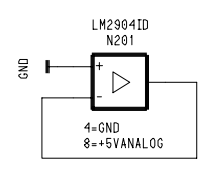
HS Block Diagram



HS Audio



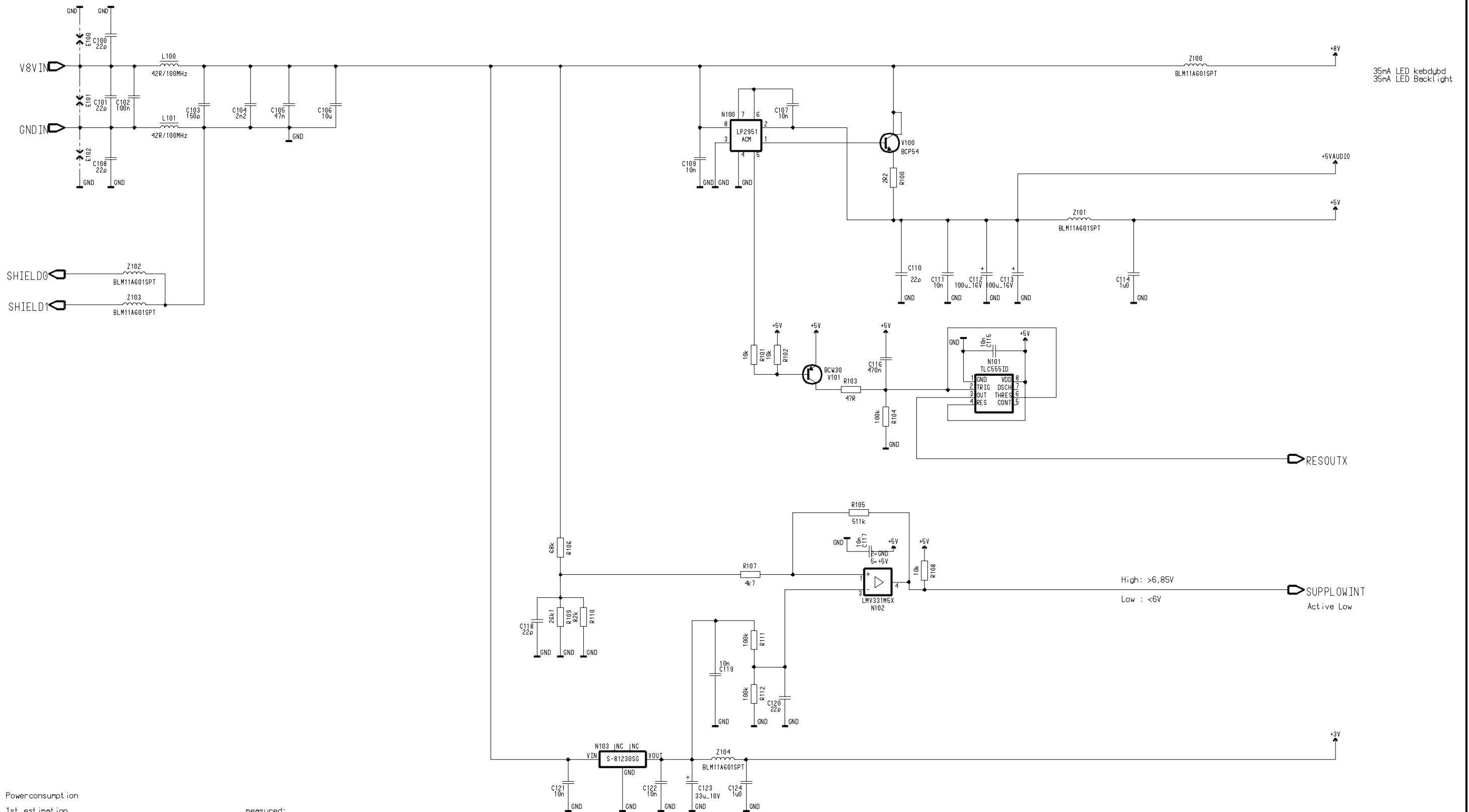
- N200...N202
- R200...R228
- C200...C253
- L200...L202
- Z200...Z205
- X200
- TP200...TP207



HS Microphone-Amplifier and Line-Driver

HS Earpiece-Driver and Line-Receiver

HS Power Supply

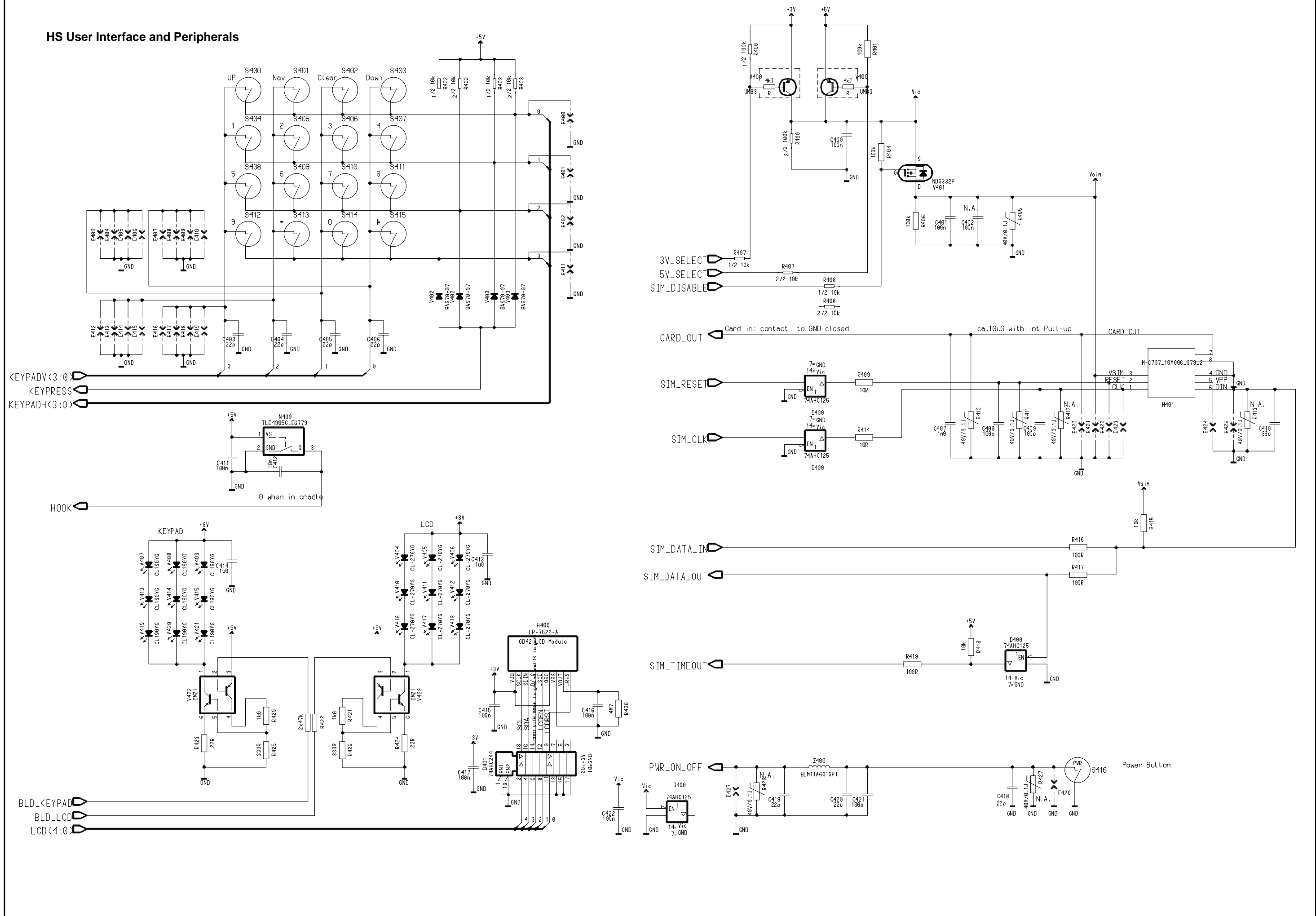


35mA LED keyboard
35mA LED Backlight

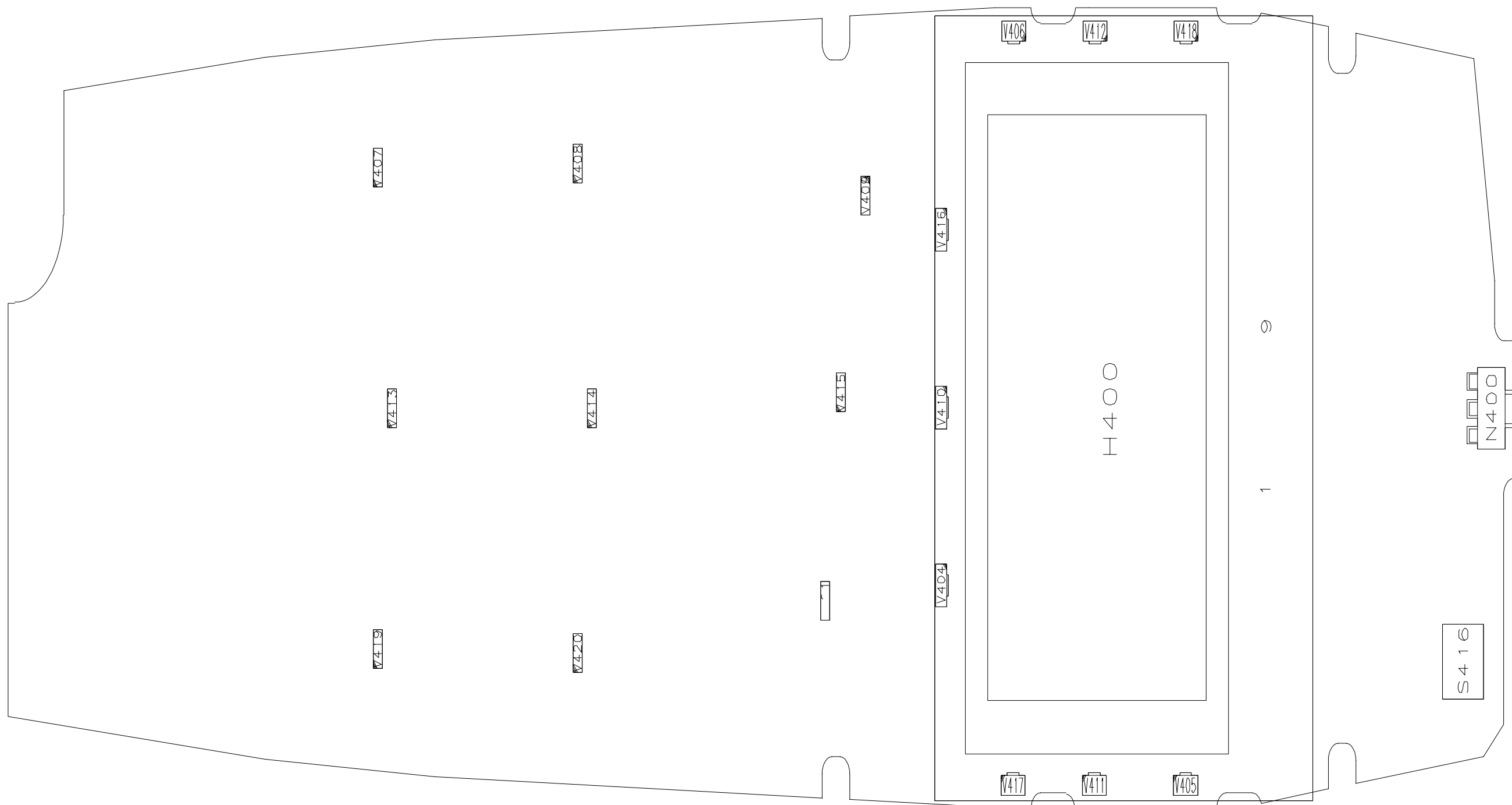
Powerconsumption

1st estimation		measured:	
8V:	35mA LED keyboard 35mA LED Backlight		
5V:	50mA MCU 25mA RAM 2mA EEPROM 8mA Halldet. 10mA Misc (MBUS etc.) 20mA OP279 60mA LM4862 5mA LM2901	DIG 191mA Audio 0.573W	<100mA
5V/3V:10mA	SIM	DIG 11mA	
3V:	1mA LCD		

HS User Interface and Peripherals



Layout Top – Component Numbers



Layout Bottom – Component Numbers

